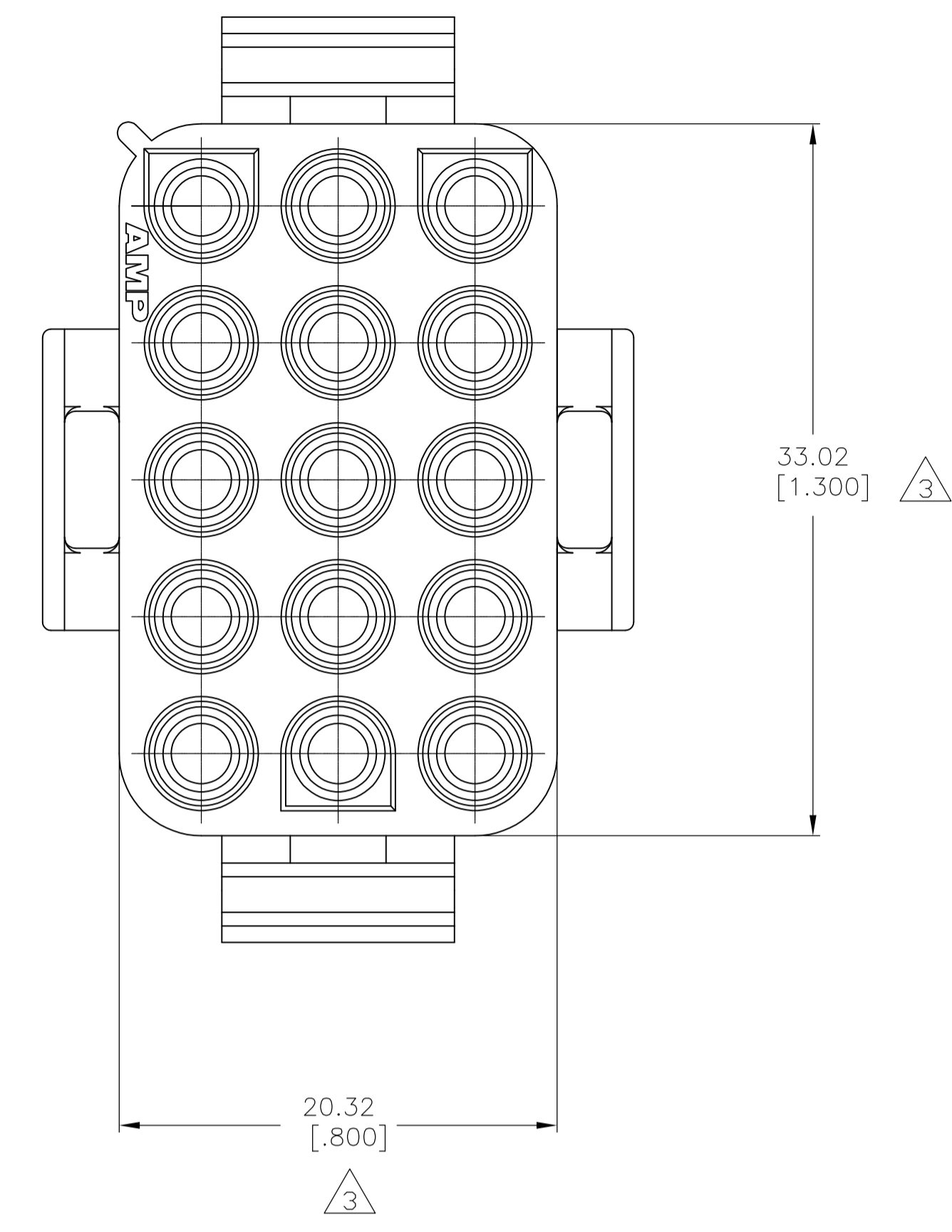
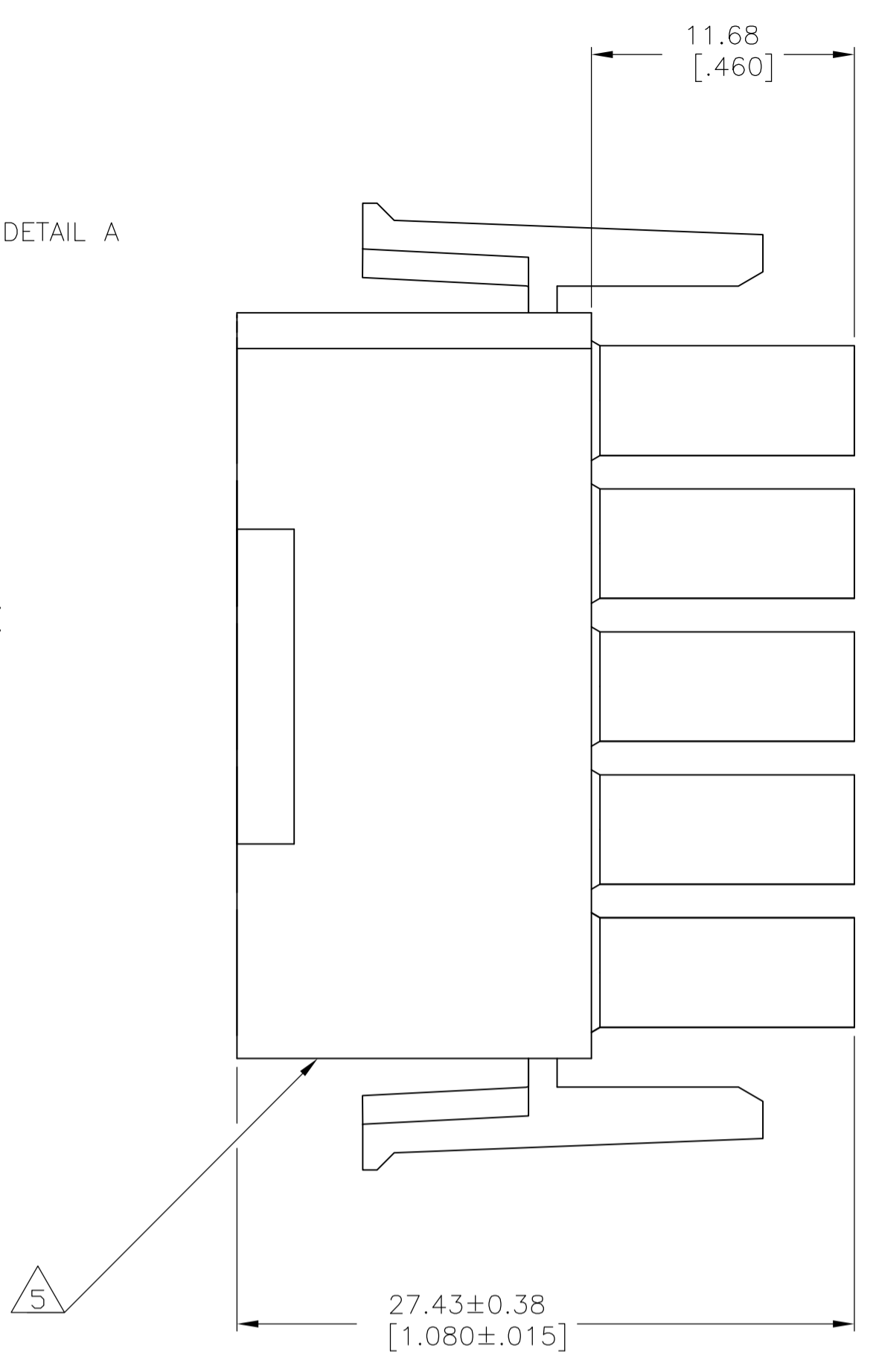
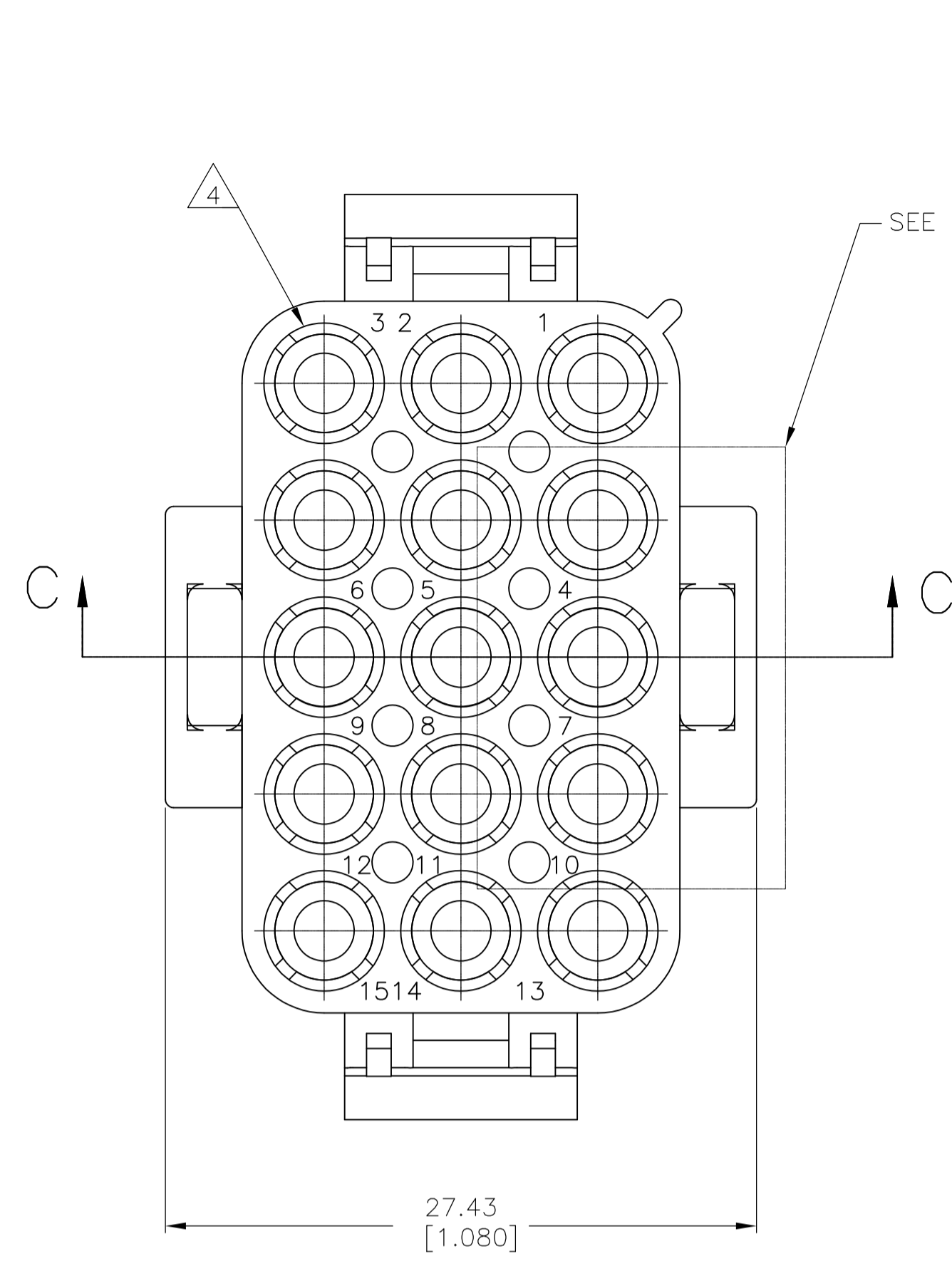
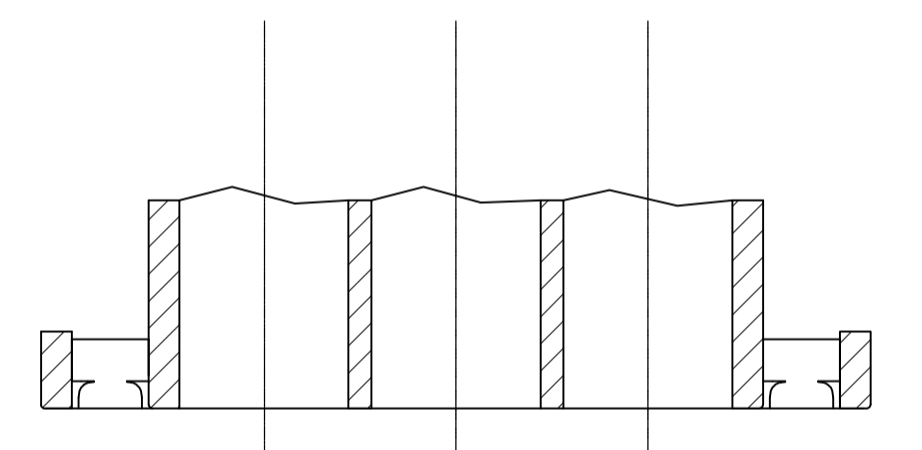


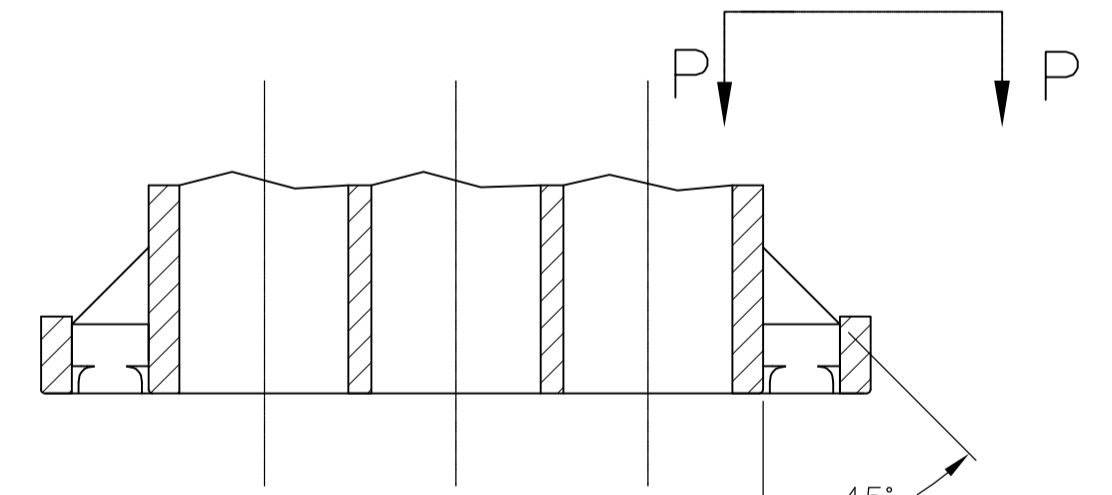
| LOC | | DIST | | REVISIONS | | | |
|-----|-------------|---------------|---------|-----------|------|--|--|
| P | LTR | DESCRIPTION | DATE | DMN | APVD | | |
| AN | REVISED PER | ECO-13-000258 | 09JUL13 | JR | TM | | |



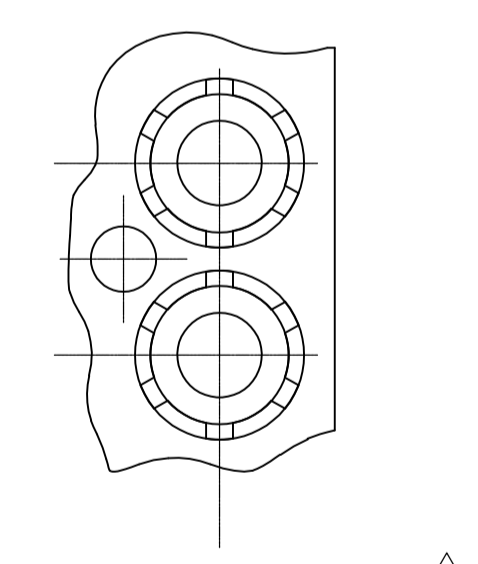
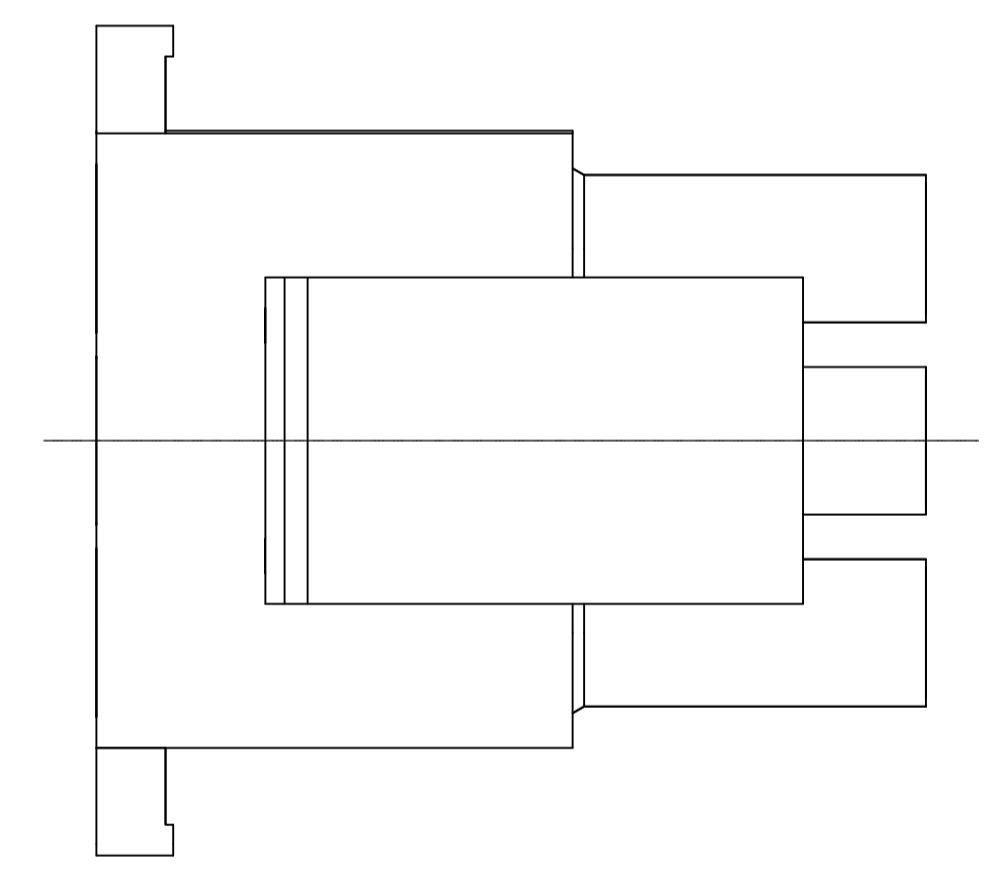
- MATES WITH APPROPRIATE UNIVERSAL MATE-N-LOK CAP OR HEADER.
 - SMALL NICKS ARE PERMITTED ON THE CIRCUIT TOWERS WHICH COULD INCREASE THE INITIAL HOUSING MATING FORCE BY UP TO 4.4 NEWTONS [1.0 LBS]. NO INDIVIDUAL NICKED TOWER SHALL INCREASE THIS FORCE BY OVER 2.2 NEWTONS [.5 LBS].
- △3 DIMENSION INDICATED IS AS MOLDED. ADDITIONAL GROWTH DUE TO SUBSEQUENT MOISTURE ABSORPTION MAY OCCUR.
- △4 FOUR RIBS EQUALLY SPACED, NO SPECIFIC ORIENTATION. OR SIX RIBS EQUALLY SPACED, NO SPECIFIC ORIENTATION, OPTIONAL.
- △5 UNDERWRITERS RECOGNIZED COMPONENT LOGO AND CSA CERTIFICATION LOGO TO BE LOCATED ONCE EACH ON SIDE OF HOUSING.
- △6 OBSOLETE PARTS: OBSOLETE CIS STREAMLINING PER D.RENAUD/D.SINISI



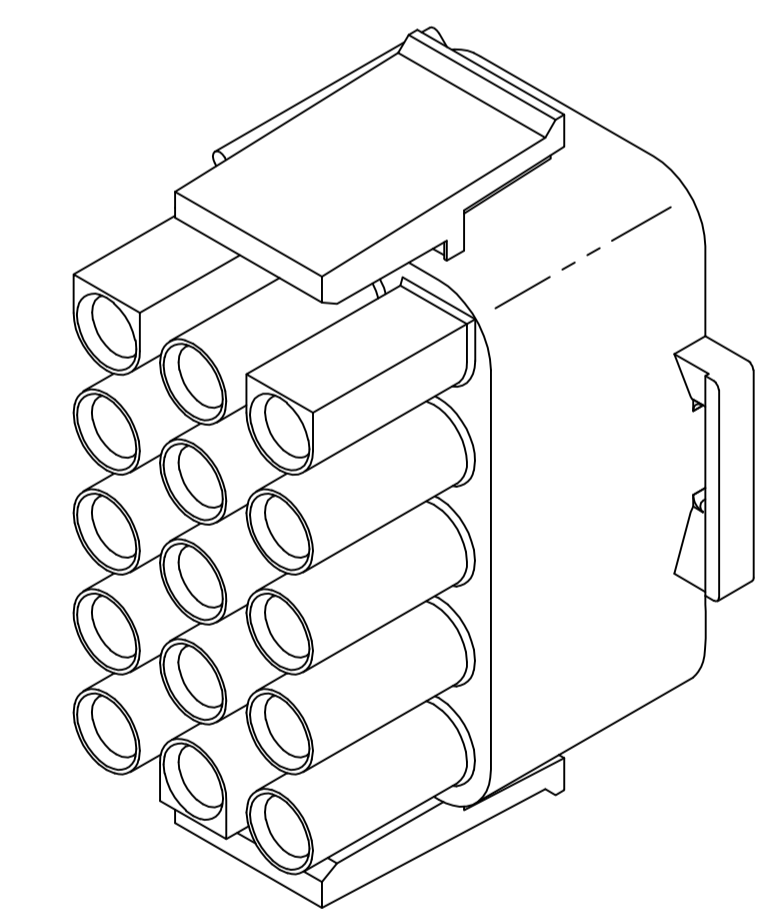
PARTIAL SECTION C-C



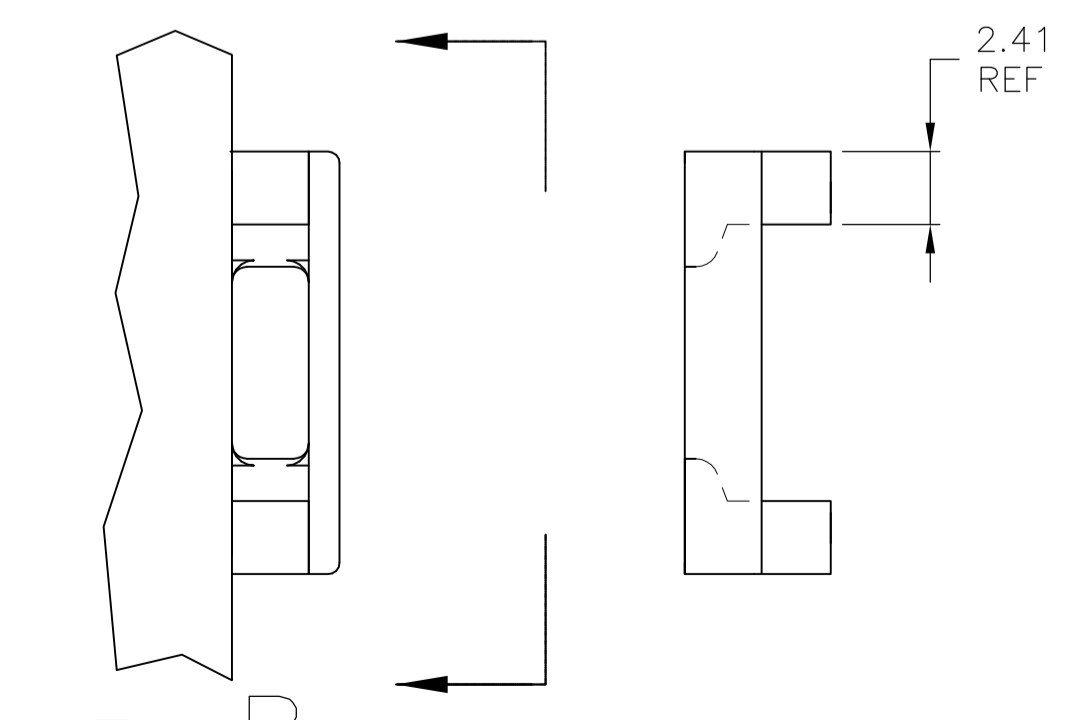
PARTIAL SECTION C-C
OPTIONAL CONSTRUCTION



PARTIAL DETAIL A
OPTIONAL CONSTRUCTIONS



3-DIMENSIONAL MODEL
NTS

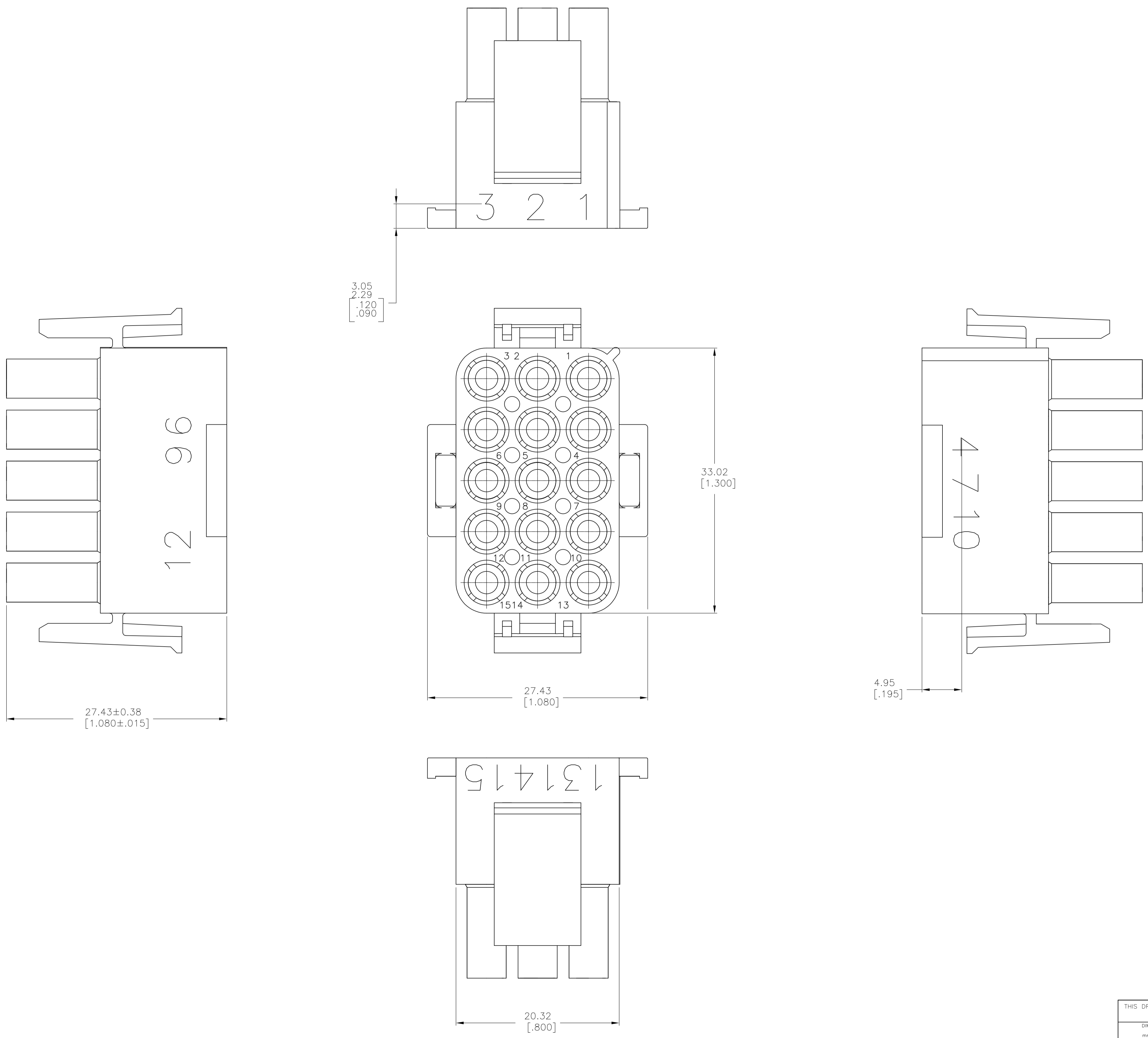


VIEW P
OPTIONAL CONSTRUCTIONS

| △6 | OBSELETE | 1-480710-0 | BLACK | 1-480710-9 |
|----|----------|------------|---------|-------------|
| | | | GRAY | 1-480710-8 |
| | | | BLUE | 1-480710-6 |
| | | | GREEN | 1-480710-5 |
| | | | YELLOW | 1-480710-4 |
| | | | ORANGE | 1-480710-3 |
| | | | RED | 1-480710-2 |
| | | | BROWN | 1-480710-1 |
| | | | NATURAL | 1-480710-0 |
| | | | COLOR | PART NUMBER |

| | | | | | |
|--|--------|--|------------------|--|--|
| THIS DRAWING IS A CONTROLLED DOCUMENT. | | DIN K. WHITAKER 02SEP04 | | TE Connectivity | |
| DIMENSIONS: mm [INCHES] | | TOLERANCES UNLESS OTHERWISE SPECIFIED: | | APVD S. RIDGILL | |
| 0. PLC | ± | 0.13 [0.005] | APVD S. RIDGILL | NAME | |
| 1. PLC | ± | 0.13 [0.005] | PRODUCT SPEC | PLUG, 15 CIRCUIT, UNIVERSAL MATE-N-LOK | |
| 2. PLC | ± | 0.13 [0.005] | APPLICATION SPEC | SIZE CASE CODE DRAWING NO | |
| 3. PLC | ± | 0.13 [0.005] | WEIGHT | A1 00779 480710 | |
| 4. PLC | ± | 0.13 [0.005] | CUSTOMER DRAWING | SCALE 4:1 SHEET 1 OF 2 REV AN | |
| ANGLES | ± | 0°30' | | | |
| MATERIAL NYLON, UL 94V-2 | FINISH | | | | |





1. STAMP NUMBERS 3.18 HIGH AT WIRE END OF HOUSING (12 POINT DAVID TYPE).
2. CHARACTERS TO BE POSITIONED ON HOUSING TO BE READ FROM WIRE END ONLY.
3. VIOLET, BLACK, BROWN, AND BLUE COLORED BLOCKS TO BE STAMPED WITH WHITE CHARACTERS. ALL OTHER COLORED BLOCKS TO BE STAMPED WITH BLACK CHARACTERS.

| | |
|---------|-------------|
| NATURAL | 2-480710-0 |
| COLOR | PART NUMBER |

| | | | | | |
|--|--|---|--|---|--|
| THIS DRAWING IS A CONTROLLED DOCUMENT. | | DIN K. WHITAKER 02SEP04 | | TE Connectivity | |
| DIMENSIONS: mm [INCHES] | | TOLERANCES UNLESS OTHERWISE SPECIFIED: | | | |
| 0. PLC ± - 1. PLC ± - 2. PLC ± 0.13 [.005] 3. PLC ± - 4. PLC ± - ANGLES ± 0°30' | | CHK S. RIDGILL APVD S. RIDGILL PRODUCT SPEC APPLICATION SPEC | | NAME PLUG, 15 CIRCUIT, UNIVERSAL MATE-N-LOK | |
| MATERIAL NYLON, UL 94V-2 | | FINISH - | | SIZE A1 CAGE CODE 00779 DRAWING NO. 480710 RESTRICTED TO - | |
| CUSTOMER DRAWING | | | | SCALE 4:1 SHEET 2 OF 2 REV AN | |

